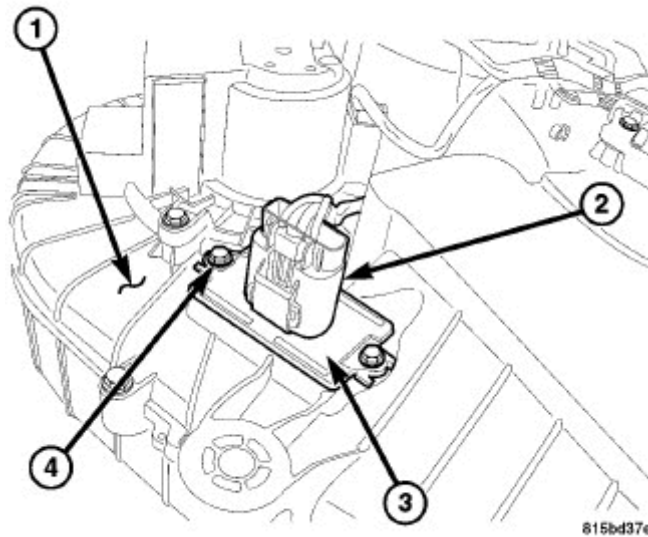


Your Current Vehicle: 2008 Chrysler Town & Country

Removal

REMOVAL



Rear Blower Motor Resistor

1. Disconnect and isolate the negative battery cable.
2. Remove rear heater-A/C housing (1) and place it on a workbench (Refer to Heating and Air Conditioning/Distribution/HOUSING, HVAC - Removal) (?a=0&t=116502).
3. Disconnect the wire harness connector (2) from the rear blower motor resistor (3).
4. Remove the two screws (4) that secure the rear blower motor resistor to the back of the rear heater-A/C housing and remove the resistor.

